

Advance series Ultrathin constant voltage output



HJA75-12VF-1 HJA75-24VF-1

Product Description

- Independent constant voltage LED power supply
- Terminal block for quick connection
- Driver can be secured with slot for screws
- Ultra-thin design ,the height is 22mm
- Full protection functions with automatic recovery feature
- Fast start-up time $\leq 0.5s$
- Protection class II, SELV output
- High efficiency, Up to 91.2% (230Vac)
- Compliance to ERP directive: COMMISSION REGULATION (EU) 2019/2020

Safety & EMC Standard

- EN 55015
- EN 60598-1
- EN 61000-3-2
- EN 61000-3-3
- EN 61347-1
- EN 61347-2-13
- EN 61547
- EN 62384

Application

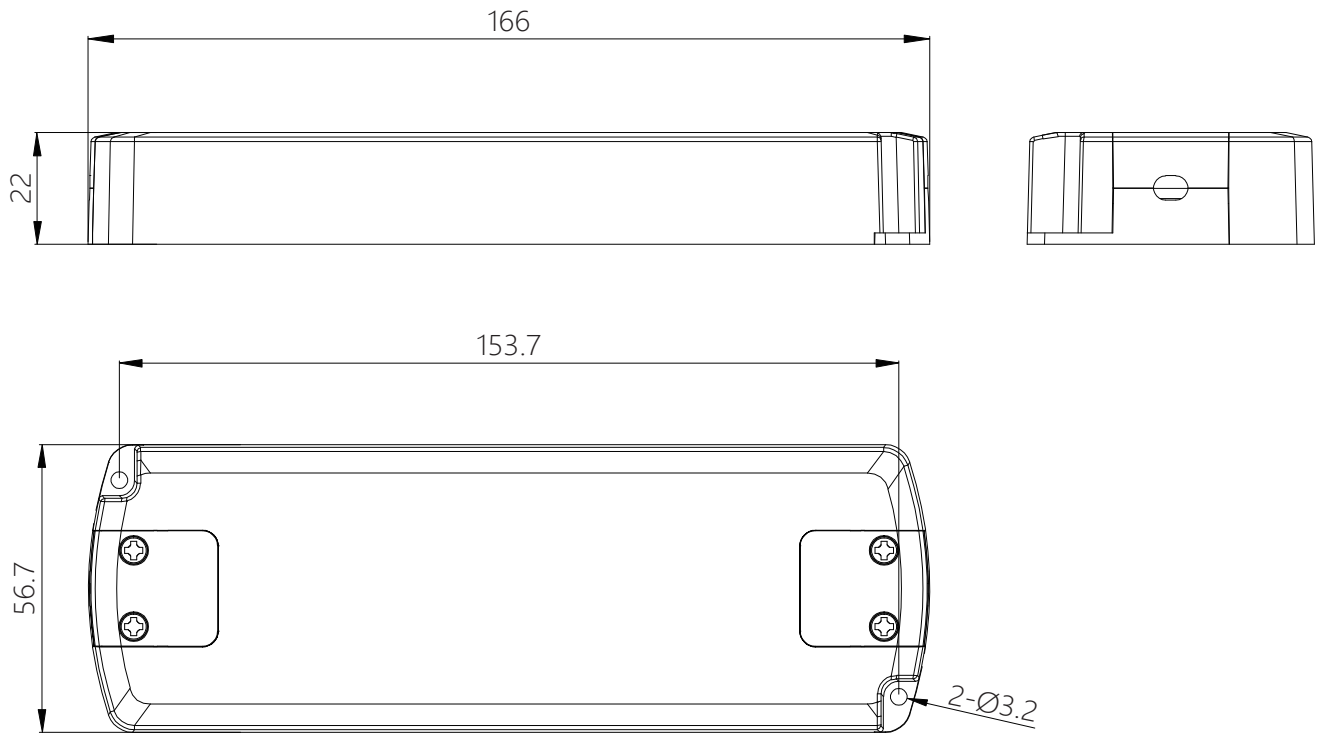
- Indoor Lighting
- Cabinet and strip lighting
- Light box backlight
- Display lighting



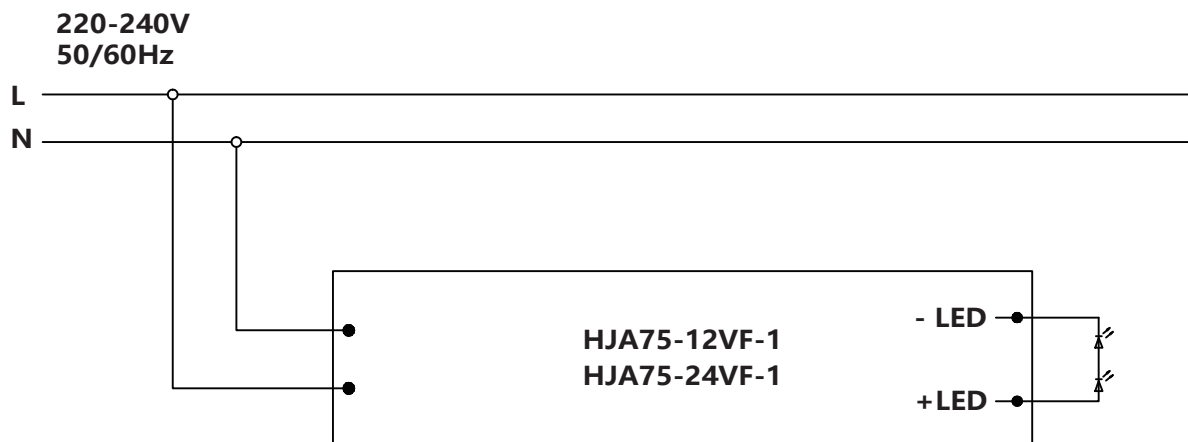
Technical data

Model		HJA75-12VF-1	HJA75-24VF-1
Input	Rated supply voltage(Vac)	220-240	220-240
	Voltage range(Vac)	198-264	198-264
	Line frequency(Hz)	50/60	50/60
	Input current(mA)	400	400
	Efficiency with full load	90.5%	91.2%
	Power factor(at 230V,50Hz,full load)	0.95	0.95
	Displacement factor(DF) (at 230V,50Hz,full load)	0.95	0.95
	Total harmonic distortion (at 230V,50Hz,full load)	<10%	<10%
	No load power consumption(W)	<0.5	<0.5
	Inrush current(peak/duration)	6A 500us	6A 500us
Output	Turn on time(S)	<0.5	<0.5
	Output power(W)	75	75
	Output voltage(V)	12	24
	Output voltage tolerance	±5%	±5%
	Ripple voltage (Vpp) (mV)	250	400
	Output current range (A)	0-6.25	0-3.12
	Max. output voltage(V)	13	25
	Isolation output to input	SELV	SELV
	Dimming interface	N/A	N/A
	Dimming range	N/A	N/A
Protection	Over load protection	Y	Y
	Over temperature protection	Y	Y
	Short circuit protection	Y	Y
	Open circuit protection	Y	Y
	Automatic restart after restore	Y	Y
Ambient and life	Ambient temperature in normal working Ta(°C)	-20...+45	-20...+45
	Max. casing temperature Tc(°C)	90	85
	Nominal life-time(hrs)	50'000@TC=85°C	50'000@TC=85°C
	Failure rate	0.1%/1000h	0.1%/1000h
	Guarantee(Years)	5	5
	Storage Temperature(°C)	-30...+80	
	Ambient humidity range	5%...85%RH , Not condensing	
Others	Weight(gram)	315	
	Housing material	PC	
	Housing colour	White	
	Waterproof rating	IP20	

Dimension(mm)



Wiring diagram



■ Sales & Technical support

Ningbo Technic Lighting Co., Ltd.

- Tel: 86-574-62795971 , 62795972 , 62795970
- E-mail: Sales@technic-lighting.com
- Fax: 86-574-62795975 , 62519809
- Web: [Http://www.technic-lighting.com](http://www.technic-lighting.com)
- Add: No. 8, CaiYuan Road, Lizhou Street, Yuyao, Zhejiang